

Logis

Single lever basin mixer for exposed installation wall-mounted

Finish: **Chrome** Article Number: **71225000**



Description

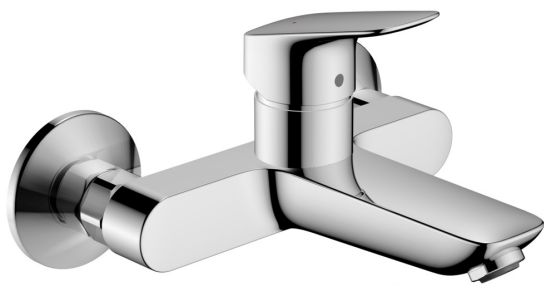
product features

- projection: 194 mm
- centre distance: 150 ± 12 mm
- spray type: normal spray
- maximum flow rate at 3 bar: 5 l/min
- ceramic cartridge
- temperature limitation adjustable
- with noise reduction
- suitable for continuous flow water heaters
- connection type: G 1/2
- connection dimension: DN15

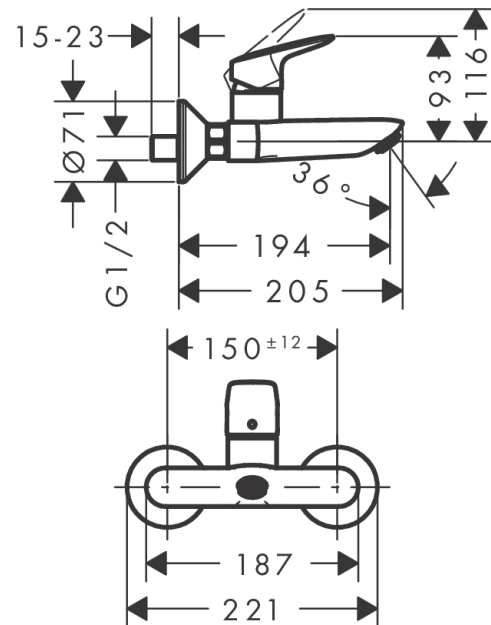
Technology



Product image



Scale drawing



Flowchart

